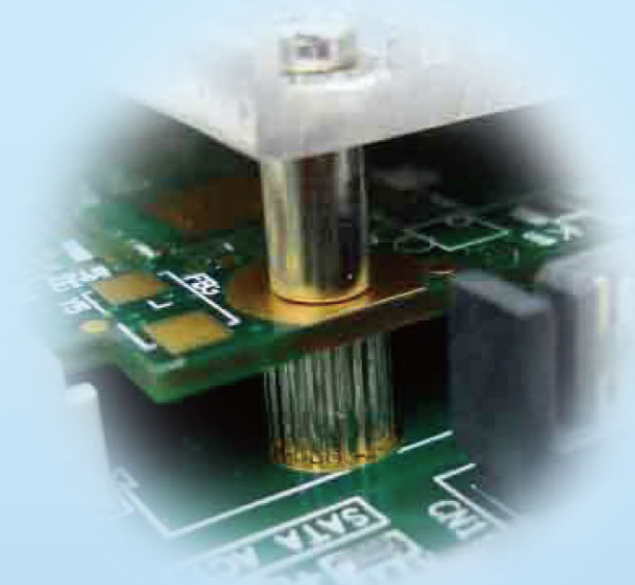


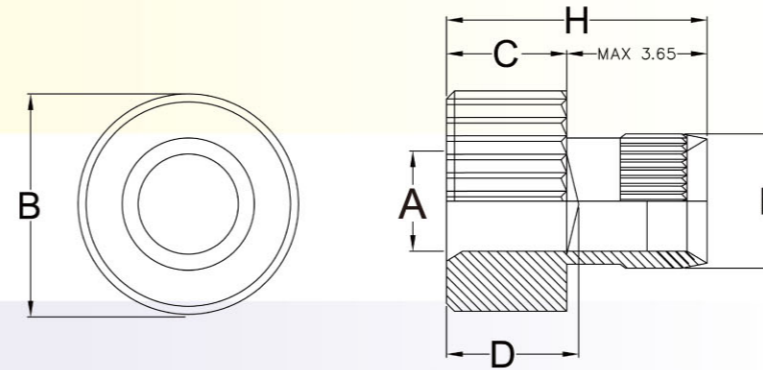
Steel Standoff - Solder Mode Qseven

Part No.	A Thread Size ±0.1	B Head Dimension ±0.13 (mm)	C Head Length +0.13 -0.00 (mm)	D Thread Length +0.13 -0.00 (mm)	E Bottom Dimension +0.05 -0.00 (mm)	H Body Length +0.13 -0.00 (mm)	Suggested PCB Hole Size +0.08 -0.00 (mm)	MXM Connector Board to Board Height (mm)
ECM00863-L	M2.5	5	2.7	2	2.7	6.3	2.8	2.7
ECM00870-L	M2.5	5	5	3.5	2.7	8.6	2.8	5
ECM00867-L	M2.5	5	7	5	2.7	10.6	2.8	7



ETX/XTX/COM Express

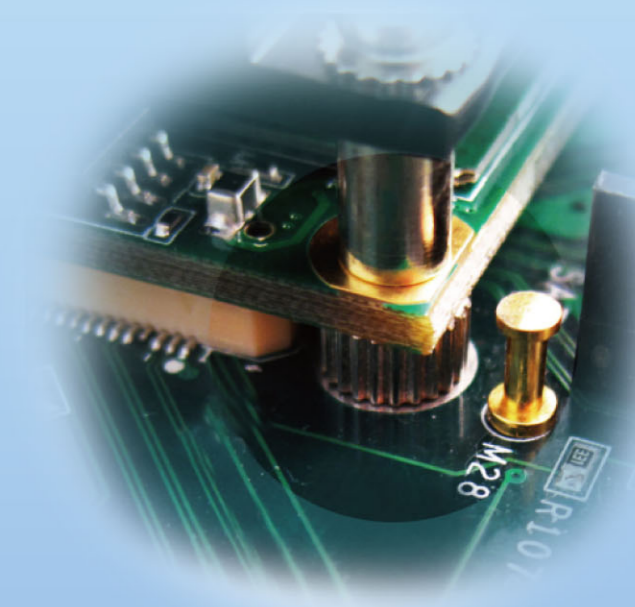
Part No.	A Thread Size ±0.1	B Head Dimension ±0.13 (mm)	C Head Length +0.13 -0.00 (mm)	D Thread Length +0.05 -0.00 (mm)	E Bottom Dimension +0.05 -0.00 (mm)	H Body Length +0.13 -0.00 (mm)	Suggested PCB Hole Size +0.08 -0.00 (mm)	Board to Board Height (mm)
ECM00477-L	M2.5	5.5	3	5	3.15	6.6	3.2	3
ECM00530-L	M2.5	5.5	5	7	3.15	8.6	3.2	5
ECM00579-L	M2.5	5.5	8	10	3.15	11.6	3.2	8
ECM00510-L	M2.5	5.5	9.5	11.5	3.15	13.1	3.2	9.5
ECM00682-L	M2.5	5.5	8	8.5	3.65	11.6	3.7	8
ECM00511-L	M3.0	5.5	3	3.5	3.65	6.6	3.7	3
ECM00578-L	M3.0	5.5	9	9.5	3.65	12.6	3.7	9



Steel Standoff - Press-in Mode Qseven

Thread type

Part No.	A Thread Size ±0.1	B Head Dimension ±0.13 (mm)	C Head Length ±0.13 (mm)	E Bottom Dimension ±0.08 (mm)	Suggested PCB Hole Size +0.08 -0.00 (mm)	MXM Connector Board to Board Height (mm)
ECM00858-L	M2.5	5.5	2.7	4.6	Ø4.2	2.7
ECM00593-L	M2.5	5.5	5	4.6	Ø4.2	5
ECM00860-L	M2.5	5.5	7	4.6	Ø4.2	7



Bore Hole type

Part No.	A Thread Size ±0.1	B Head Dimension ±0.13 (mm)	C Head Length +0.13 -0.00 (mm)	E Bottom Dimension ±0.08 (mm)	Suggested PCB Hole Size +0.08 -0.00 (mm)	MXM Connector Board to Board Height (mm)
ECM00862-L	Ø2.7	5.5	2.7	4.6	Ø4.2	2.7
ECM00592-L	Ø2.7	5.5	5	4.6	Ø4.2	5
ECM00875-L	Ø2.7	5.5	7	4.6	Ø4.2	7



ETX/XTX/COM Express

Thread type

Part No.	A Thread Size ±0.1	B Head Dimension ±0.13 (mm)	C Head Length ±0.13 (mm)	E Bottom Dimension ±0.08 (mm)	Suggested PCB Hole Size +0.08 -0.00 (mm)	Board to Board Height (mm)
ECM00247-L	M2.5	5.5	3	4.6	4.2	3
ECM00593-L	M2.5	5.5	5	4.6	4.2	5
ECM00594-L	M2.5	5.5	8	4.6	4.2	8
ECM00515-L	M2.5	5.5	9.5	4.6	4.2	9.5
ECM00516-L	M3.0	5.5	3	4.6	4.2	3

Bore Hole type

Part No.	A Hole Size ±0.1	B Head Dimension ±0.13 (mm)	C Head Length ±0.13 (mm)	E Bottom Dimension ±0.08 (mm)	Suggested PCB Hole Size +0.08 -0.00 (mm)	Board to Board Height (mm)
ECM00517-L	Ø2.7	5.5	3	4.6	4.2	3
ECM00718-L	Ø2.7	6	3	5.87	5.47	3
ECM00592-L	Ø2.7	5.5	5	4.6	4.2	5
ECM00588-L	Ø2.7	5.5	8	4.6	4.2	8
ECM00518-L	Ø2.7	5.5	9.5	4.6	4.2	9.5
ECM00519-L	Ø3.2	5.5	3	4.6	4.2	3

